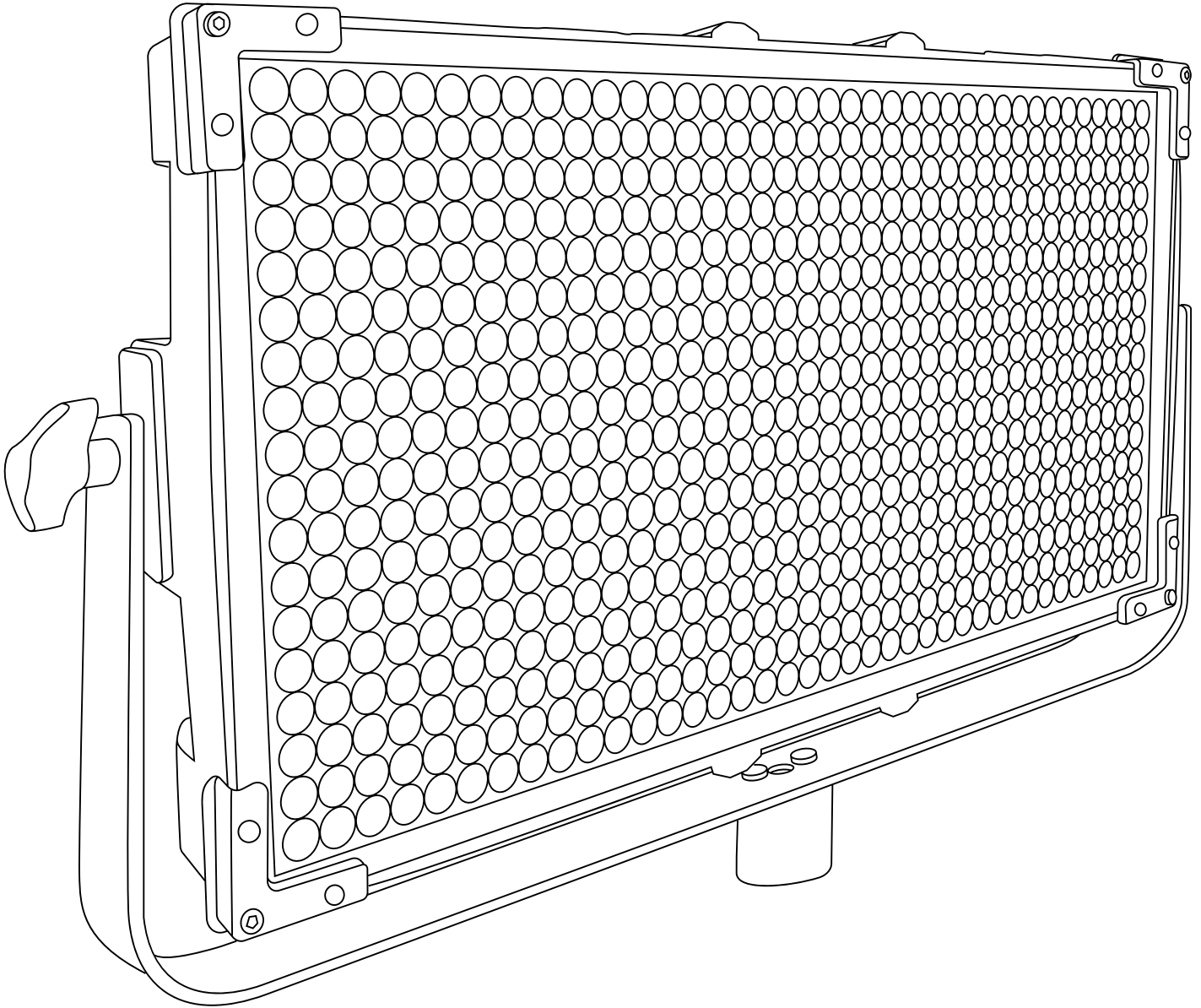


Lupo
Made in Italy



Cod 818 PRO

UltrapanelPRO

Full Color 60 Hard

Technical Data

Dimensions (cm)	691 x 465 x 121 mm
Dimensions (in)	27.2 x 18.3 x 4.21 in
Weight (kg)	9 kg
Weight (lb)	19.8 lb
CRI (Colour Rendering Index)	95
TLCI (Television Lighting Consistency Index)	96
Estimated LED lifetime (L80)	50,000 hours
Dimmer 0 - 100	included
Dimming curves mode	Linear, Exponential, Logarithmic
DMX module	included
DMX (bit)	8 bit / 16 bit
Connection for 14.8 V battery with standard XLR 4 pin connector (pin 1: negative / pin 4: positive)	included
Standard XLR 5 pin connectors to DMX console	included
Watt consumption	440 W
Watt output (equivalent to tungsten)	8000 W
Firmware upgrades	through USB port
Colour temperature	2800 K - 10000 K
Voltage AC	90 V - 240 V
Voltage DC	14.8 V
Light beam	40°
Frequency (input)	50 / 60 Hz
Compliance	CE
Remote control	Bluetooth Long Range / DMX / RDM
Ambient temperature	Max: + 45°C / Min: - 10°C
Power factor	0.9

Photometric data	6500 K	5600 K	3200 K
Distance			
Lux at 1 m - 3.2 ft	120000	118000	110000
Lux at 2 m - 6.5 ft	30400	29000	27600
Lux at 3 m - 9.8 ft	13400	12900	12140
Lux at 4 m - 13.1 ft	7500	7300	6900
Lux at 5 m - 16.4 ft	4800	4760	4400

Mode Options

CCT (Correlated Color Temperature)

Mode for variable color temperature control from 2700 K to 10000 K with the addition of plus and minus green/magenta offset.

HSI (Hue, Saturation and Intensity)

Mode for full color control.

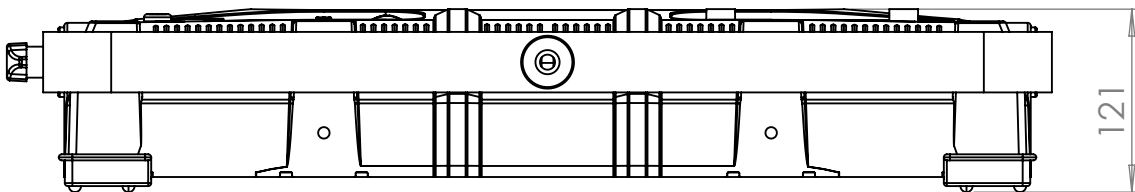
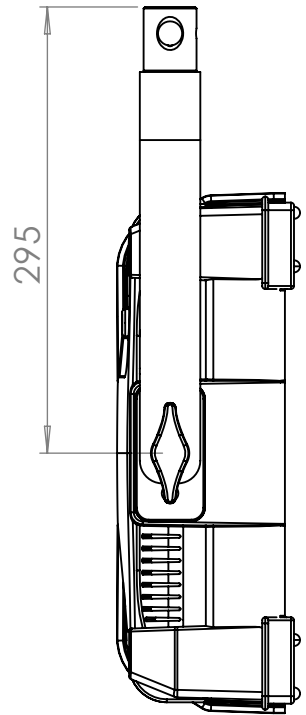
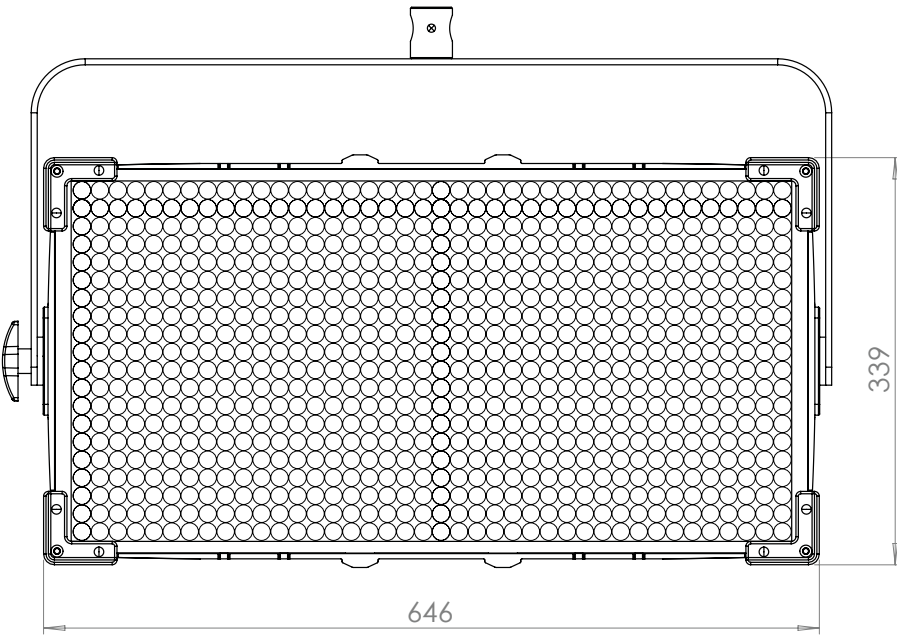
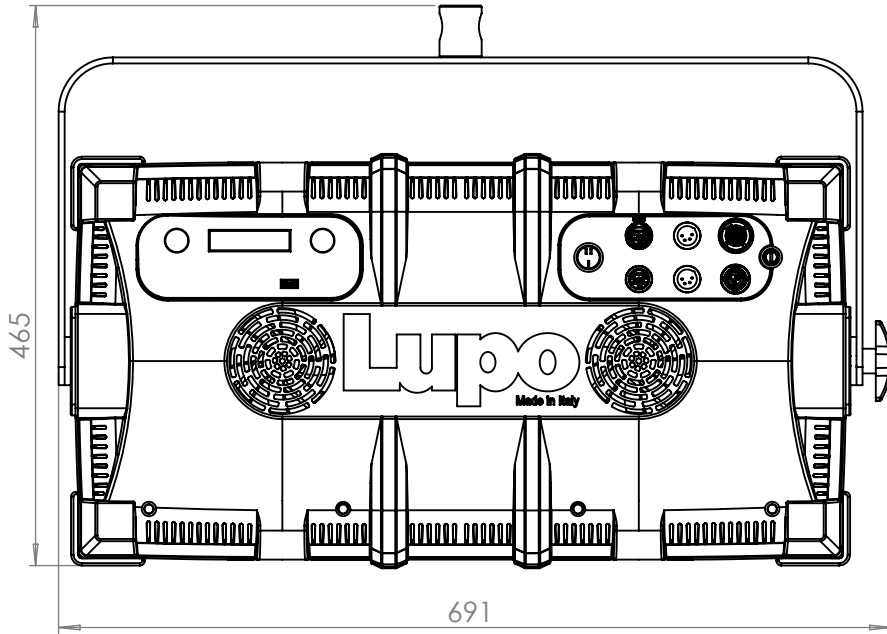
RGBW

Mode for control of Red, Green, Blue and White independently.

Preset

Mode for a selected variety of gels.

Technical Drawing



Pole Operated Yoke

